

# AMAL SPARE PARTS LIST FOR SERIES 600 & 900 & 1000 CARBURETORS

# AMAL

This breakdown covers  
600, 900 & 1000 Series  
Carbs only.

### Throttle Valves #11

Supplied in sizes 20, 25,  
30, 35 & 40. Add to end  
of part number when or-  
dering. (07-6220620)

### Pilot Jets #14

Supplied in sizes 20, 25,  
30, 35, 40 & 50. Add to  
end of part number (07-  
12402620)

### Needle Jets #15

Supplied in sizes 105, 106,  
107, 108 & 120. Add size  
required to end of part  
number (07-622122105)

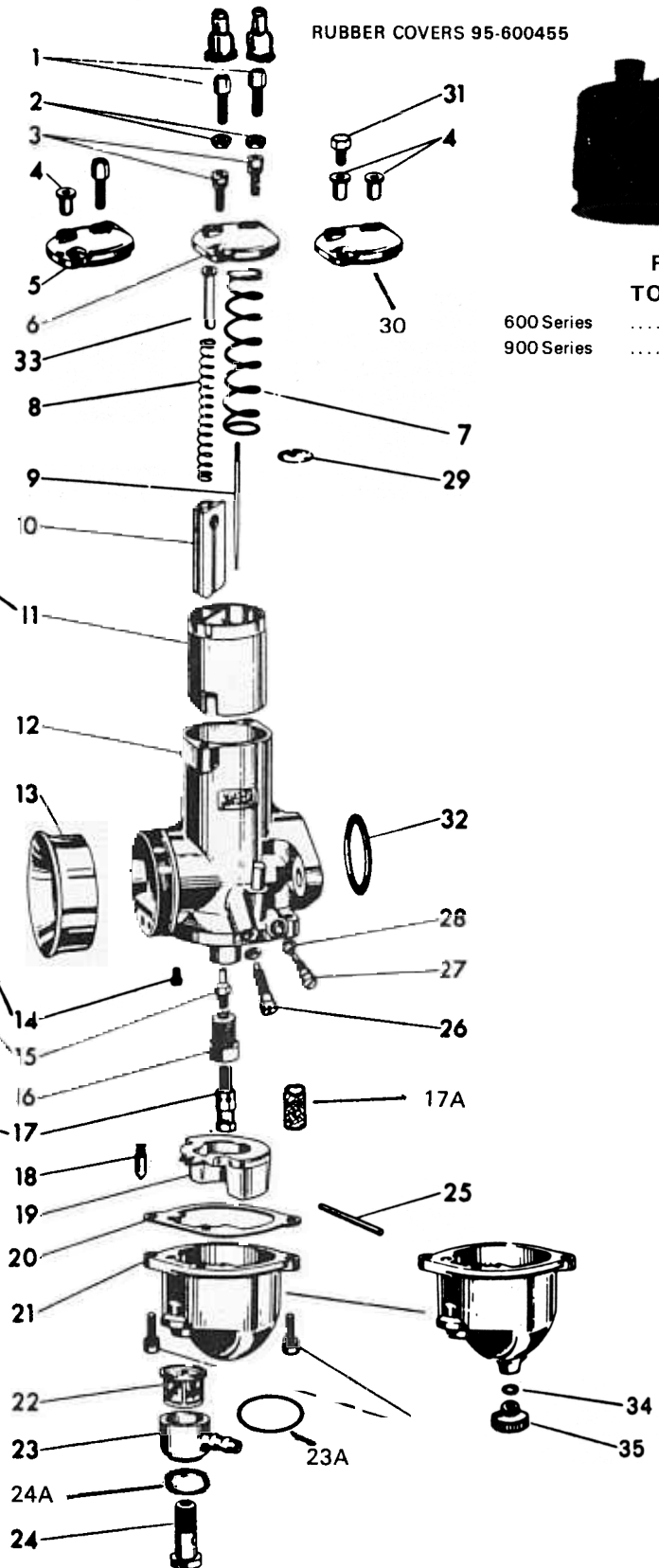
### Main Jets #17

Supplied in sizes 50 thru  
900, add size required to  
end of part number. (07-  
376100150)

### JET KEY



For removal of main jet.  
Order No. 07-622104



### RUBBER TOP COVER

600 Series ..... 07-622102  
900 Series ..... 07-928102

**Note:** 07-622/122 Needle Jet, 07-622/128 Jet Holder & 07-622/124 Needle must be used as a unit.

| Key To Illustration | Component  | Carburetter Series 600 | Carburetter Series 900 | Carburetter Series 1000 |
|---------------------|--|------------------------|------------------------|-------------------------|
|                     | Cable Adjuster   | 07-4035                | 07-4035                | 07-4035                 |
| 2                   | Cable Adjuster Locknut                                     | 07-5077                | 07-5077                | 07-5077                 |
| 3                   | Fl. Ch. & Mix. Ch. Top Securing Screws                     | 07-622086              | 07-622086              | 07-622086               |
| 4                   | Cable Ferrule  | 07-6132A               | 07-6132A               | 07-6132A                |
| 5                   | Mixing Chamber Top for Adjuster & Ferrule                  | 07-622097              | 07-928097              | —                       |
| 6                   | Mixing Chamber Top (Std)                                   | 07-622064              | 07-928064              | 07-1034064              |
| 7                   | Throttle Valve Spring                                      | 07-622131              | 07-622131              | 07-1034061              |
| 8                   | Air Valve Spring   | 07-622129              | 07-622129              | —                       |
| 9                   | Throttle Needle (paired with N/Jet 622/079) 2 Stroke       | 07-622063              | 07-928063              | —                       |
| 9                   | Throttle Needle (paired with N/Jet 622/122) 4 Stroke       | 07-622124              | 07-622124              | 07-622124               |
| 9                   | Throttle Needle Alcohol Only                               | 07-622099              | 07-928099              | 07-1034099              |
| 10                  | Air Valve  | 07-622062              | 07-928062              | —                       |
| 11                  | Throttle Valve (Specify Cutaway 20, 25, 30, 35, 40)        | 07-622060              | 07-928060              | 07-1034060              |
| 12                  | Carburetter Body & Tickler Assembly                        |                        |                        |                         |
| 13                  | Air Intake Tube (Std) Plastic                              | 07-376066A             | 07-928066              | —                       |
| 13                  | Air Intake Tube Chrome                                     | 07-376066B             | 07-928066A             | —                       |
| 14                  | Pilot Jet (Specify Size 20, 25, 30, 35, 40, or 50)         | 07-124026              | 07-124026              | 07-124026               |
| 15                  | Needle Jet (Specify Size 105, 106, 107, 109, 125) 2 Stroke | 07-622079              | 07-622079              | 07-622079               |
| 15                  | Needle Jet (Specify Size 105, 106, 107, 109, 125) 4 Stroke | 07-622122              | 07-622122              | 07-622122               |
| 15                  | Needle Jet (Specify Size 120 or 125) Alcohol               | 07-622100              | 07-622100              | 07-622100               |
| 16                  | Jet Holder   | 07-622128              | 07-622128              | 07-622128               |
| 17                  | Main Jet (Specify Size 50 thru 900) 1-c 07-376100150       | 07-376100              | 07-376100              | 07-376100               |
| 18                  | Float Needle   | 07-622068              | 07-622068              | 07-622068               |
| 18                  | Float Needle (Viton Tipped)                                | 07-622197              | 07-622197              | 07-622197               |
| 18                  | Float Needle Alcohol Only                                  | 07-622149              | 07-622149              | 07-622149               |
| 19                  | Float  | 07-622069              | 07-622069              | 07-622069               |
| 20                  | Float Chamber Washer                                       | 07-622073              | 07-622073              | 07-622073               |
| 21                  | Float (.10" Seating)                                       | 07-622050              | 07-622050              | 07-622050               |
| 21                  | Float (.10" Seating with Drain)                            | 07-622055              | 07-622055              | 07-622055               |
| 21                  | Float Bowl — 0.062 in. (1.6 mm) Seating                    | 622/052                | 622/052                | 622/052                 |
| 21                  | Float Bowl — 0.062 in. Seating with Drain Plug             | 622/057                | 622/057                | 622/057                 |
| 21                  | Float Bowl — 0.125 in. (3.2 mm) Seating                    | 622/051                | 622/051                | 622/051                 |
| 21                  | Float Bowl — 0.125 in. Seating with Drain Plug             | 622/056                | 622/056                | 622/056                 |
| 21                  | Float Bowl — 0.156" Alcohol Only                           | 07-622054              | 07-622054              | 07-622054               |
| 22                  | Filter   | 07-376093              | 07-376093              | 07-376093               |
| 22                  | Filter Alcohol Only  | 07-376093B             | 07-376093B             | 07-376093B              |
| 23                  | Banjo Single Push On (Plastic) ¼" Tubing                   | 07-376097              | 07-376097              | 07-376097               |
| 23                  | Banjo Double 90° Push On (Metal)                           | 07-376135              | 07-376135              | 07-376135               |
| 23                  | Banjo Double 150° Push On (Die Cast) 5/16" Tubing          | 07-376139              | 07-376139              | 07-376139               |
| 23                  | Banjo Double 55° Push On (Die Cast) 5/16" Tubing           | 07-376410              | 07-376410              | 07-376410               |
| 23A                 | Banjo Washer Alcohol or Die Cast Banjo (Bottom)            | 07-14175               | 07-14175               | 07-14175                |
| 24                  | Banjo Bolt   | 07-622078              | 07-622078              | 07-622078               |
| 24A                 | Banjo Washer Alcohol or Die Cast Banjo (Top)               | 07-13163               | 07-13163               | 07-13163                |
| 25                  | Float Spindle  | 07-622071              | 07-622071              | 07-622071               |
| 26                  | Throttle Stop Adjusting Screw                              | 07-622077              | 07-622077              | 07-622077               |
| 27                  | Pilot Air Adjusting Screw                                  | 07-622076              | 07-622076              | 07-622076               |
| 28                  | 'O' Rings  | 07-622082              | 07-622082              | 07-622082               |
| 29                  | Needle Clip  | 07-622067              | 07-622067              | 07-1034065              |
| 30                  | Mixing Chamber Top for Two Ferrules                        | 07-622098              | 07-622098              | —                       |
| 31                  | Plug for Mixing Chamber Top                                | 07-4137A               | 07-4137A               | —                       |
| 32                  | 'O' Ring for Flange Sealing                                | 07-622101              | 07-622101              | —                       |
| 33                  | Air Valve Guide  | 07-622134              | 07-928103              | —                       |
| Not Illustrated     | Jet Key  | 07-622104              | 07-622104              | 07-622104               |
| 34                  | Float Chamber Drain Plug Washer                            | 07-622151              | 07-622151              | 07-622151               |
| 35                  | Float Chamber Drain Plug                                   | 07-622155              | 07-622155              | 07-622155               |
| Not Illustrated     | Tickler Stem   | 07-622089              | 07-622089              | —                       |
| Not Illustrated     | Tickler Head   | 07-622081              | 07-622081              | —                       |
| Not Illustrated     | Tickler Spring   | 07-14032               | 07-14032               | —                       |
| Not Illustrated     | Main Jet Filter  | 07-928071              | 07-928071              | 07-928071               |

#### IMPORTANT

† When incorporating the latest metering system the following three items must be fitted as a set: Throttle Needle 622/124, Needle Jet 622/122 and Jet Holder 622/128.

It is permissible to fit the latest Jet Holder 622/128 with the original Throttle Needle and Needle Jet, but not possible to fit the new Needle and Needle Jet with the original Jet Holder, obviously the Needle and Needle Jet must be paired.

\* WHEN ORDERING SPARES PLEASE QUOTE COMPLETE CARBURETTER NUMBER FOUND ON RAISED BOSS POSITIONED ON CARBURETTER BODY AT AIR INTAKE END.