

Amal Concentric Carburetter Dimensions

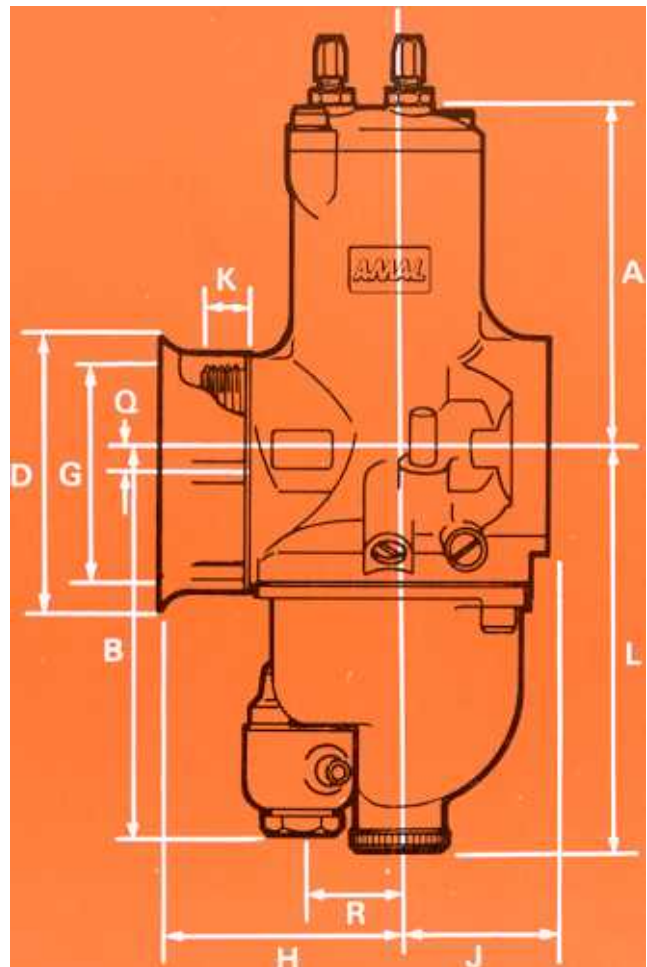
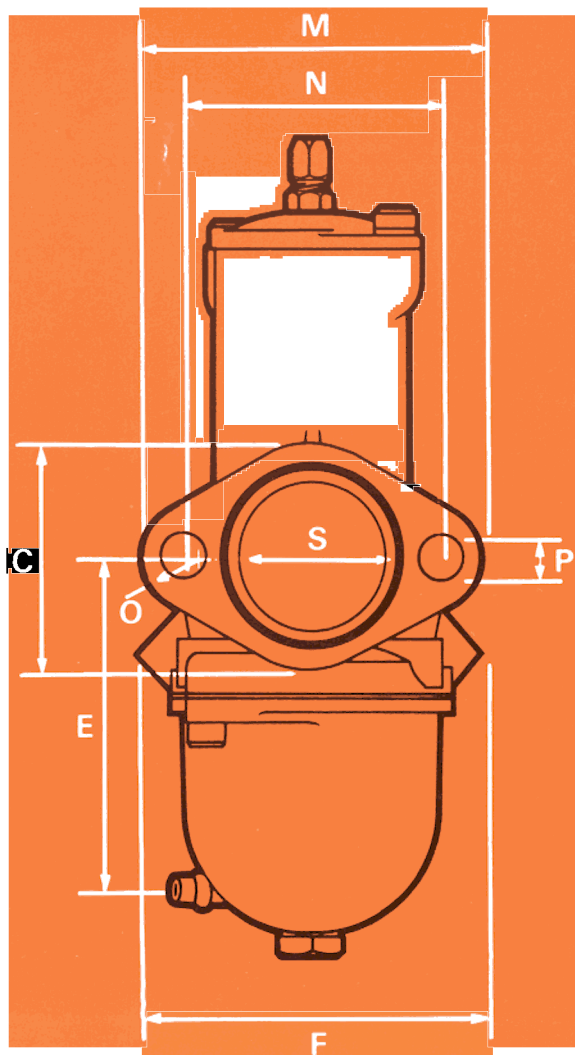
		A	B	C	D	E	F	G	H	J
Series 600	inches	2.41	2.90	1.63	1.94	2.43	2.56	1.63	1.84	1.30
	mm	61.2	73.6	41.3	49.2	61.7	65.0	41.2	46.4	33.0
Series 900	inches	2.74								
	mm	69.6								

		K	L*	M	N	O†	P‡	Q	R	S
Series 600	inches	0.30	3.13	2.63	2.00	0.38	0.34	0.19	0.78	Bore
	mm	7.6	79.6	66.7	50.8	9.5	8.7	4.7	19.8	22, 24 or 26
Series 900										

*This dimension only applies to carburetters fitted with drain plug (optional extra).

†Flange radius.

‡Hole diameter.



Amal Mk1 range of Concentric Carburetters



Amal carburetters have been regular race winners right from the earliest days of motor cycling and they are still in there winning.

The Amal Mk1 Concentric Carburetter, fitted as original equipment to so many British motor cycles, is available in two body sizes, Series 600 and 900, giving a range of six bore sizes from 22mm up to 32mm.

If your motor cycle is fitted with one or more Amal carburetters, and has seen a high mileage, refitting with a new Amal Mk1 will bring back that sharp 'new machine' performance. If your machine doesn't have Amals as original equipment it's a simple procedure to fit them. Your local dealer will be only too pleased to advise.

Amal carburetters and accessories are available from many distributors and stockists throughout the UK and worldwide. In the event of any difficulty please apply direct to Amal.

The Amal Mk1 Concentric carburetter features:

- * Concentric float bowl guarantees regular and constant petrol feed—even at steep angles of inclination.
- * Pilot bush and precision air passages ensure satin-smooth idling.
- * Tapered jet needle gives an even, progressive response as throttle is opened from slow-running position.
- * From three-quarter throttle upwards, needle jet is fully open, and petrol feed from main jet comes into play for maximum power.
- * A rich-mixture choke valve and tickler for trouble-free starting—even in winter.

IMI Amal Ltd *a subsidiary of IMI plc.*

Holdford Road, Witton, Birmingham, B6 7ES, England
Telephone: 021-356 2000 Telegrams: Amalcarb Phone Birmingham
Telex: 335959 IMICOM G, begin all messages 'Amal'

IMI