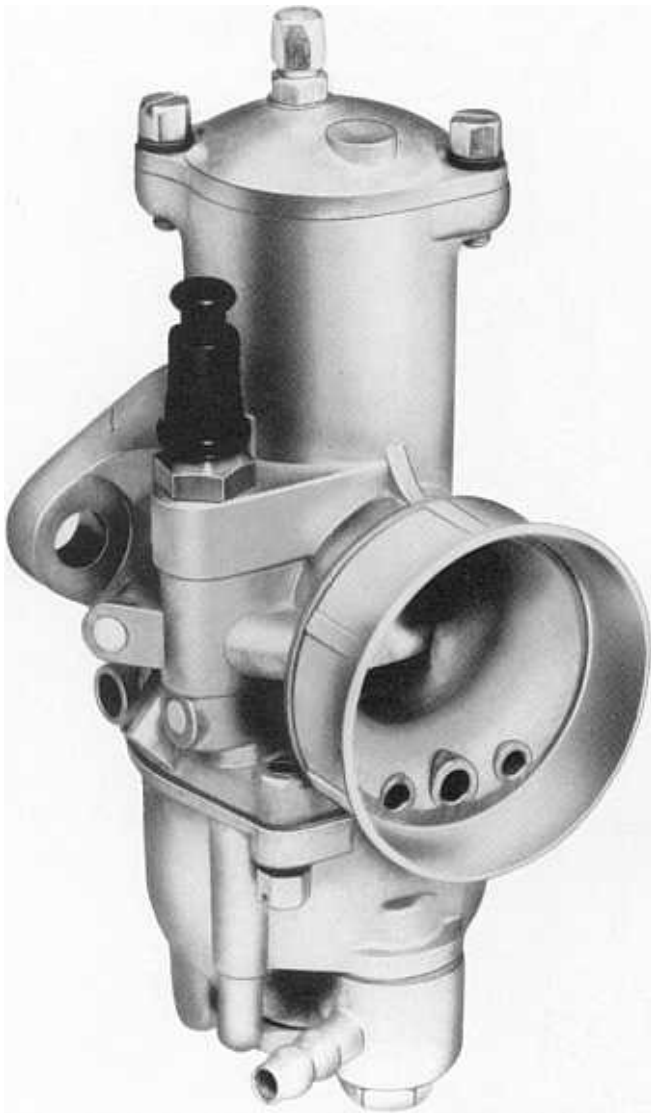


1600 - 1900 range of Amal Concentric Carburetters



The Amal 1600-1900 range is a further development of the famous Mk 1 and Mk 2 Concentric carburetters, incorporating a cold start system and a 2 in. mounting flange making them suitable for a wide variety of engines.

Available in two body sizes the range gives an option of six bore diameters from 22 mm to 32 mm.

Adaption of the cold start system, as used successfully on the Amal Mk 2 carburettor, allows the rider complete control over the engine warm-up period. The cold start can be operated either by a lever mounted directly on the carburettor body or alternatively by a cable control from the handlebar.

Mounting the 1600-1900 carburetters is identical to the Mk 1, via a 2 in. mounting flange. This allows the carburettor to be used as a suitable replacement for existing Mk 1 carburetters, monobloc carburetters and their predecessors on a variety of engines dating right back to 1928.

The range has been designed to satisfy the requirements of users of the Mk 1, while incorporating popular features of the Mk 2.

Amal carburetters and accessories are available from a number of distributors and stockists throughout the UK. In the event of any difficulty please apply direct to Amal.

- * Concentric float bowl guarantees regular and constant petrol feed – even at steep angles of inclination.
- * The cold start system allows improved control over the engine warm-up period.
- * The 2 in. mounting flange has been universally adopted and fits a wide range of engines dating back to 1928.
- * Pilot jet variations available to suit individual engine demands and requirements.
- * Alternative precision needle and needle jet options for two-stroke and four-stroke engines ensures optimum running.

Amal Concentric Carburetter Dimensions

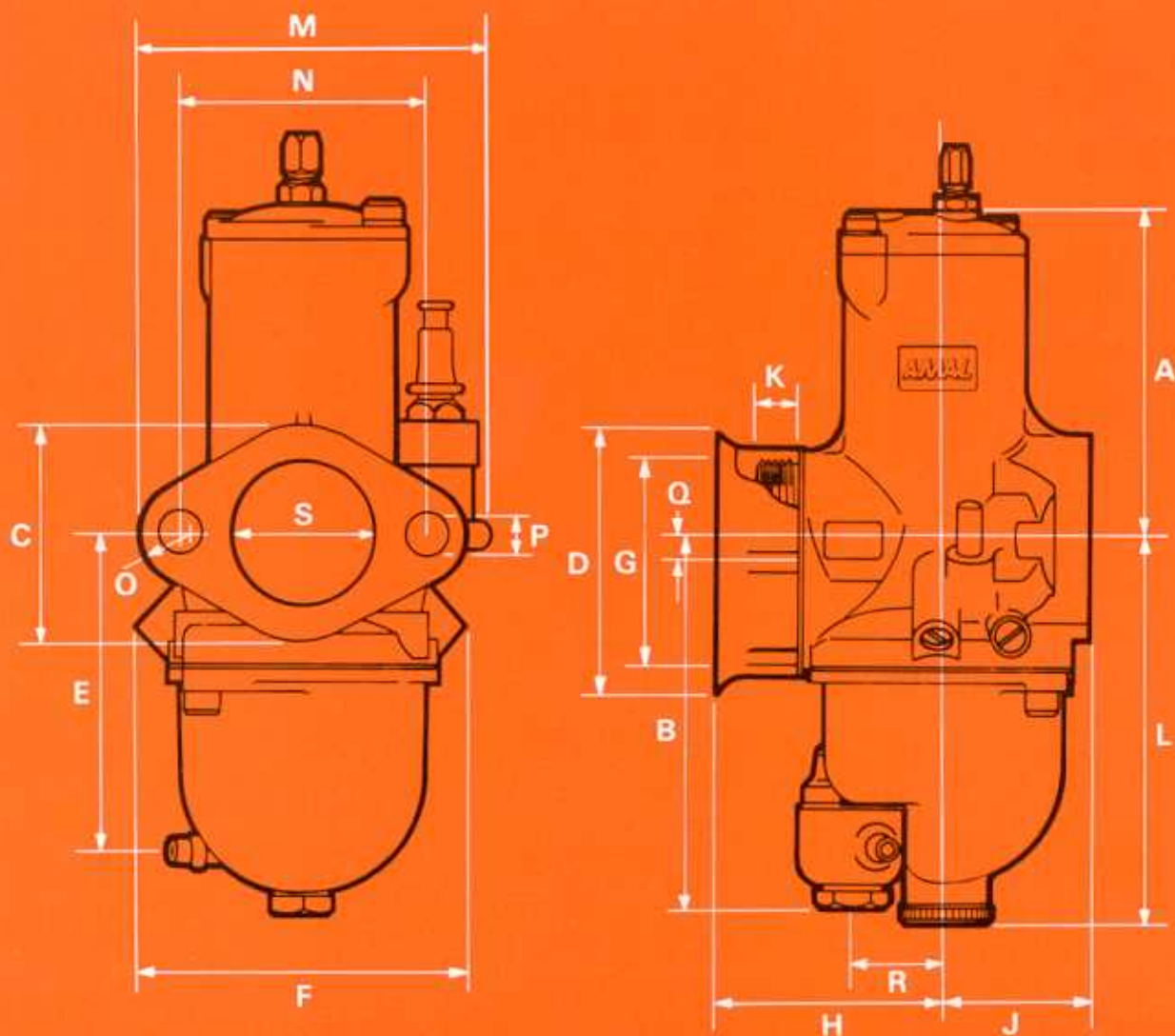
	A	B	C	D	E	F	G	H	J
Series 1600	inches								
	mm								
Series 1900	inches	3.02							
	mm	76.6							

	K	L*	M	N	O†	P‡	Q	R	S
Series 1600	inches				0.38	0.34	0.19	0.78	Bore
	mm				9.5	8.7	4.7	19.8	22, 24 or 26
Series 1900	inches				0.38	0.34	0.19		Bore
	mm				9.5	8.7	4.7		28, 30 or 32

* This dimension only applies to carburetters fitted with drain plug (optional extra).

† Flange radius.

‡ Hole diameter.



Parts List for Amal Concentric Carburetters

Key to illustration	Component	Carburetter Series 1600	Carburetter Series 1900
1	Cable adjuster	4/035	4/035
2	Cable adjuster locknut	5/077	5/077
3	Securing screw for float-bowl and mixing-chamber top	622/170	622/170
4	Mixing-chamber top	622/216	928/106
5	Throttle-slide spring	622/061	622/131
5a	Needle retaining disc	622/116	622/116
6	Needle clip	622/067	622/067
7	Throttle needle (paired with needle jet 622/079)	622/063	928/063
7	Throttle needle (paired with needle jet 622/122)	622/124	622/124
7	Throttle needle (for alcohol only)	622/099	928/099
8	Throttle slide (specify cutaway)	622/215	928/105
9	Carburetter body assembly	*	*
10	'O' rings	622/082	622/082
11	Pilot air adjusting screw	622/076	622/076
12	Throttle stop adjusting screw	622/077	622/077
13	Jet holder (preferred for 2 cycle engines)	1034/080	1034/080
13	Jet holder (preferred for 4 cycle engines)	622/128	622/128
14	Pilot jet	124/026	124/026
15	Main jet (specify size)	376/100	376/100
16	Float (standard)	622/069	622/069
16	Float (deep)	622/196	622/196
17	Float spindle	622/071	622/071
18	Float bowl –	622/294	622/294
18	Float bowl –	*	*
18	Float bowl –	*	*
18	Float bowl –	*	*
19	Float bowl drain plug washer	622/200	622/200
20	Float bowl drain plug	622/201	622/201
21	Banjo bolt	622/078	622/078
22	Banjo, single, push-on (1/4 in. inside diameter tubing)	376/097	376/097
22	Banjo, double, 150°, push-on (1/8 in. tubing)	376/139	376/139
22	Banjo, double, 180°, push-on (1/4 in. tubing)	376/419	376/419
Not shown	Banjo washer (for alcohol only)	14/175	14/175
Not shown	Banjo bolt washer (for diecast banjos only)	13/163	13/163
23	Filter	376/093	376/093
23	Filter (for alcohol only)	376/093B	376/093B
24	Float chamber washer	622/291	622/291
24	Float chamber washer	622/281	622/281
25	Float needle	622/149	622/149
25	Float needle	622/197	622/197
26	Cold start jet	124/026	124/026
27	Needle jet (preferred for 2 cycle engines)	622/079	622/079
27	Needle jet (preferred for 4 cycle engines)	622/122	622/122
27	Needle jet (for alcohol only)	622/100	622/100
28	Cold start click spring	2622/087	2622/087
29	Cold start lever and bracket assembly	2622/075	2622/075
30	Cold start plunger assembly (lever operated)	2622/079	2622/079
31	Adjuster	4/035	4/035
32	Adjuster locknut	5/077	5/077
33	Screw	2622/091	2622/091
34	Spring	2622/084	2622/084
35	Plunger cap	2622/092	2622/092
36	Plunger assembly	2622/094	2622/094
37	Velocity stack	376/066	928/066
Not shown	Jet key and 'Pozidriv' screwdriver	622/104	622/104

alternative
cable-operated
cold start

* When ordering spares, please quote complete carburetter number positioned on raised boss adjacent to air intake.